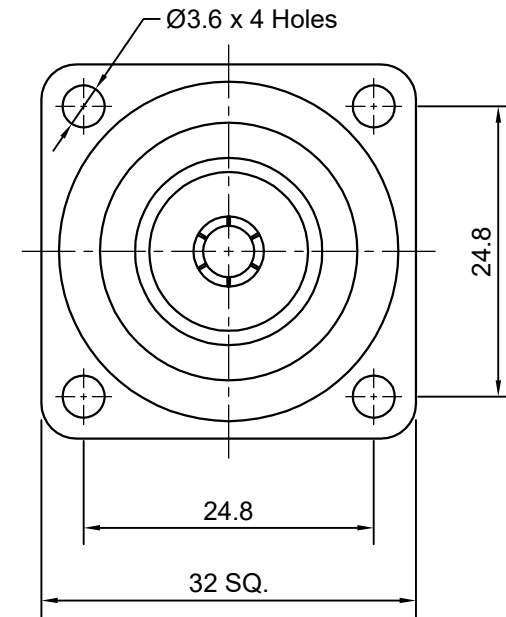
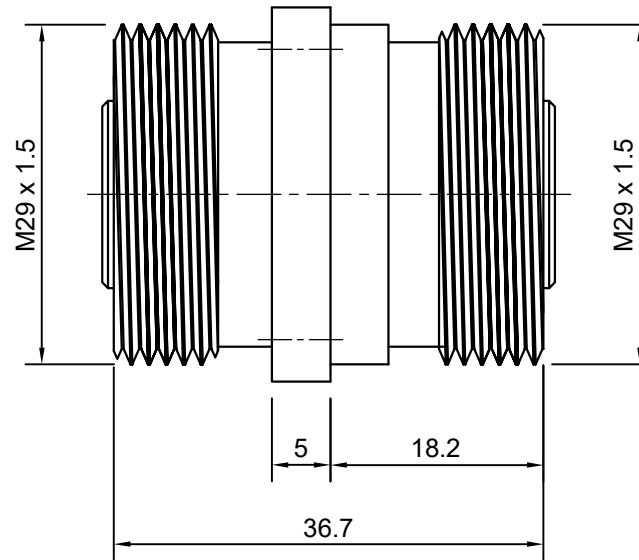


RevNo	Revision note	Date	Signature	Checked



TECHNICAL DATA

Type	Adapter
Orientation	Straight
Impedance (Ohms)	50
Adapter Side 1	7/16 (DIN)
Side 1 Gender	Jack
Adapter Side 2	7/16 (DIN)
Side 2 Gender	Jack
Body Finish	White Bronze
Body Material	Brass
Contact Finish	Silver
Contact Material	Brass
Insulator Material	PTFE
Max. Frequency (GHz)	7.5
Mounting Feature	4 Hole Flange
Min. Temp. (Celsius)	-65
Max. Temp. (Celsius)	165
Weight (Grams)	0.0

FILE PATH: D:\VINSUR\DRAWINGS -- VINSUR\ADAPTERS\DIN - DIN

FILE NAME: ADAPTER - DIN Female to DIN Female 4 Hole Flange - VSW-AD-531272-4H-S.dwg

SIZE

DRAWN	VINAY 25.10.2018
CHECK	
APPR.	VINAY 25.10.2018
ISSUED	
REV	R0

SHEET	1 of 1	SCALE	NTS
RF ADAPTER			
7/16 (DIN) Female to 7/16 (DIN) Female 4 HOLE PANEL MOUNT TYPE			
DWG NO		VSW-AD-531272-4H-S	